

# Convotherm 4 easyTouch Combi Steamer

## **C4EBT12.20CD** ELECTRIC BOILER 24 x 1/1GN or 12 x 2/1GN

- Boiler system
- ACS+ (Advanced Closed System +) operating modes: Steam, Combi-steam, Convection
- ACS+ Extra Functions:
  - Crisp&Tasty - 5 moisture-removal settings
  - BakePro – 5 levels of traditional baking
  - HumidityPro - 5 humidity settings
  - Controllable fan – 5 speed settings
- easyTouch 9" full-touch screen
- ConvoClean+ fully automated cleaning system with eco, express and regular modes, including optional single-measure dispensing
- Ethernet / LAN interface
- HygienicCare
- USB port integrated in the control panel
- Steam generated by high performance boiler outside the cooking chamber
- Right-hinged appliance door
- Disappearing door



### **Standard Features**

- ACS+ operating modes:
  - Steam (30-130°C) with guaranteed steam saturation
  - Combi-steam (30-250°C) with automatic humidity adjustment
  - Convection (30-250°C) with optimised heat transfer
- HygienicCare: safety through antibacterial surfaces
  - easyTouch control panel
  - Door handle and recoil hand shower
- easyTouch user interface:
  - Full 9" full-touch screen
  - Press&Go - automatic cooking using quick-select buttons
  - TrayTimer - load management for different products at the same time
  - Regenerate+ - versatile regenerating function with preselect
  - ecoCooking - energy-save function
  - Low-temperature cooking / Delta-T cooking
  - Cook&Hold - cooking and holding in one process
  - 399 cooking profiles containing up to 20 steps
  - On-screen Help with topic-based video function
  - Starting time preselect

- Multi-point core temperature sensor
- Door handle with safety latch
- Built-in preheat bridge
- RS232 and RS485 interface
- Data storage for HACCP figures
- Preheat and Cool down function

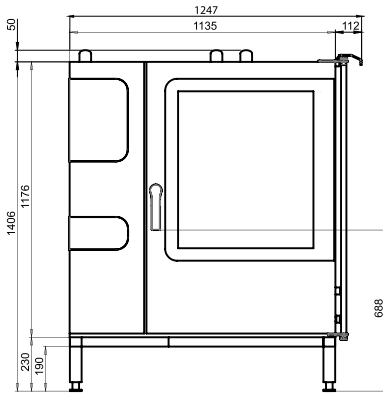
### **Options**

- Steam and vapour removal (built-in condensation hood)
- Marine model
- Available in various voltages
- Sous-vide sensor, with external socket
- Core temperature sensor, with external socket

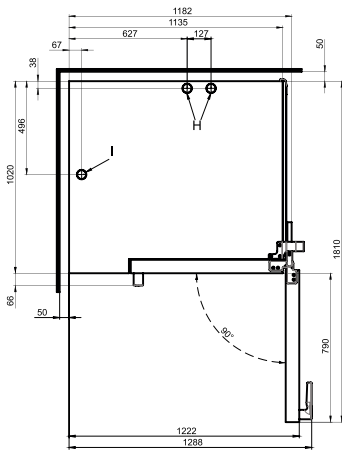
# Convotherm 4 easyTouch Combi Steamer

## C4EBT12.20CD ELECTRIC BOILER 24 x 1/1GN or 12 x 2/1GN

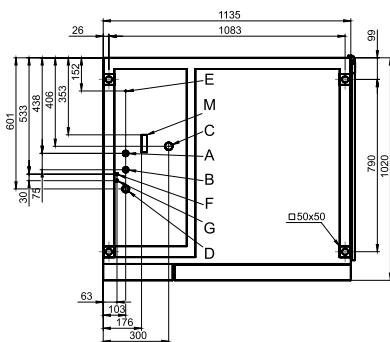
Front view



View from above with wall clearances



Connection positions in appliance floor



- A** Water connection (for boiler)
- B** Water connection (for cleaning, recoil hand shower)
- C** Drain connection DN 50
- D** Electrical connection
- E** Equipotential bonding
- F** Rinse aid connection
- G** Cleaning agent connection
- H** Air vent Ø 50 mm
- I** Ventilation port Ø 50 mm
- M** Safety overflow 80 mm x 25 mm

### DIMENSIONS

|        |         |
|--------|---------|
| Width  | 1247 mm |
| Depth  | 1020 mm |
| Height | 1406 mm |
| Weight | 271kg   |

### PACKED DIMENSIONS

|                                    |         |
|------------------------------------|---------|
| Width                              | 1410 mm |
| Depth                              | 1170 mm |
| Height                             | 1615 mm |
| Weight (including cleaning system) | 316kg   |

### Safety clearances\*

|   |        |
|---|--------|
| Rear                                    | 50 mm  |
| Right                                   | 160 mm |
| Left (larger recommended for servicing) | 50 mm  |
| Top (for ventilation)                   | 500 mm |

\*Heat sources must lie at a minimum distance of 500 mm from the appliance.

### INSTALLATION REQUIREMENTS

For precise installation instructions please refer to the units installation manual

### LOADING CAPACITY

|   |        |
|---|--------|
| <b>Max. number of food containers</b>         |        |
| Shelf distance                                | 68mm   |
| GN 1/1 (with standard loading trolley)        | 24     |
| GN 2/1 (with standard loading trolley)        | 12     |
| <b>Max. loading weight GN 1/1 / 600 x 400</b> |        |
| Per combi steamer                             | 120 kg |
| Per shelf                                     | 15 kg  |

### ELECTRICAL SUPPLY

|                                  |                                    |
|----------------------------------|------------------------------------|
| <b>3N~ 400V 50/60Hz (3P+N+E)</b> |                                    |
| Rated power consumption          | 33.7 kW                            |
| Rated current                    | 48.7 A                             |
| Fuse                             | 50 A                               |
| RCD (GFCI), frequency converter  | Type A                             |
| (singlephase)                    | (recommended), type B/F (optional) |

Special voltage options available on request.

Connection to an energy optimisation system as standard.

### WATER CONNECTION

**Water supply**  
2 x G 3/4" permanent connection, optionally including connecting pipe (min. DN13 / 1/2")

Flow pressure 150 - 600 kPa (1.5 - 6 bar)

### Appliance drain

Drain version Permanent connection (recommended) or funnel waste trap  
Type DN50 (min. internal Ø: 46 mm)  
Slope for waste-water pipe min. 3.5% (2°)

### WATER QUALITY

|  |  |
|--|--|
| Drinking water                           |  |
| <b>Total hardness</b>                    |  |
| Cleaning, recoil hand shower, boiler     | 4-20 °dh / 70-360 ppm / 7-35 °TH / 5-25 °e |
| <b>Properties</b>                        |  |
| pH                                       | 6.5 - 8.5                                  |
| Cl <sup>-</sup> (chloride)               | max. 60 mg/l                               |
| Cl <sub>2</sub> (free chlorine)          | max. 0.2 mg/l                              |
| SO <sub>4</sub> <sup>2-</sup> (sulphate) | max. 150 mg/l                              |
| Fe (iron)                                | max. 0.1 mg/l                              |
| Temperature                              | max. 40°C                                  |
| Electrical conductivity                  | min. 20 µS/cm                              |

### EMISSIONS

|                                |                     |
|--------------------------------|---------------------|
| <b>Heat output</b>             |                     |
| Latent heat                    | 6900 kJ/h / 1.92 kW |
| Sensible heat                  | 7800 kJ/h / 2.17 kW |
| <b>Waste water temperature</b> | max. 80 °C          |
| <b>Noise during operation</b>  | max. 70 dBA         |



Australia  
moffat.com.au

New Zealand  
moffat.co.nz

Australia  
Moffat Pty Limited

Victoria/Tasmania  
740 Springvale Road  
Mulgrave, Victoria 3170  
Ph 03-9518 3888  
Fax 03-9518 3833  
vsales@moffat.com.au  
www.moffat.com.au

New South Wales  
Ph 02-8833 4111  
nswsales@moffat.com.au

South Australia  
Ph 03-9518 3888  
vsales@moffat.com.au

Queensland  
Ph 07-3630 8600  
qldsales@moffat.com.au

Western Australia  
Ph 08-9413 2400  
wasales@moffat.com.au

New Zealand  
Moffat Limited

Christchurch  
45 Illinois Drive  
Izone Business Hub  
Rolleston 7675  
New Zealand  
Telephone +64 3-983 6600  
Facsimile +64 3-983 6660  
sales@moffat.co.nz

Auckland  
Ph +64 9-574 3150  
sales@moffat.co.nz

In line with policy to continually develop and improve its products, Moffat Limited reserves the right to change specifications and design without notice.

© Copyright Moffat Ltd  
AN.CON.S.1901

