

# Convotherm C4EMT6.10MOB mini mobile 6 x 1/1 GN Tray Electric Combination Oven Steamer

- Advanced Closed System – automatic moisture regulation, energy-efficient
- Requires minimum space – fits anywhere, saving expensive floor space
- EasyTouch 7" full touchscreen user interface
- Built-in water and waste water drawers (no fixed water supply connection required)
- Semi-automatic cleaning system
- Ethernet interface (LAN)
- Direct steam injection version
- Multi-point core temperature probe
- Vapour reduction
- Right-hinged appliance door






## Standard Features

- Press&Go – automatic cooking and baking using quick-select buttons
- easyStart – automatic cooking and baking using product suggestions
- Crisp&Tasty – 3 moisture removal settings
- BakePro – 3 levels of traditional baking
- Reduced fan speed and auto-reverse mode
- TrayTimer – oven-load management for different products at the same time
- Regenerate – flexible multi-mode retherm function
- ecoCooking – energy saving function
- Low-temperature cooking / Delta-T cooking
- Cook&Hold – cook and hold in one process
- Programmable with an unlimited number of cooking profiles, each with up to 99 steps and one image
- On-screen help
- Start-time preset
- Data storage for HACCP recording
- Preheat and cool down function
- Flexible shelf spacing
- USB port built into the control panel
- Door latch handle with sure-shut function

## Options

- Exterior design in black on stainless steel
- Left-hinged appliance door

## Cooking programmes

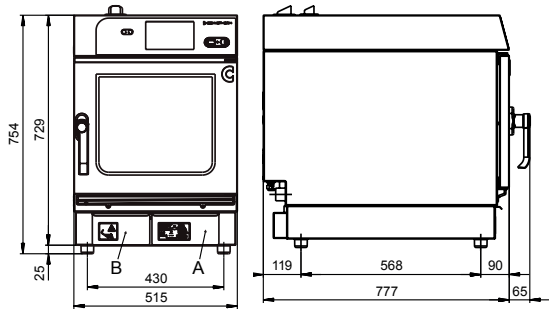
- |  |             |   |
|--|-------------|---|
| <b>Steaming</b>  | 30°C-120°C  |  |
| • Guaranteed steam saturation - for steaming, stewing and poaching                         |             |   |
| <b>Combi-steam</b>   | 100°C-250°C |  |
| • With automatic humidity adjustment - for roasting and baking                             |             |   |
| <b>Convection</b>  | 30°C-250°C  |  |
| • Optimised heat transfer - for grilling, quick roasting, baking, toasting and gratinating |             |   |

## Optional Accessories

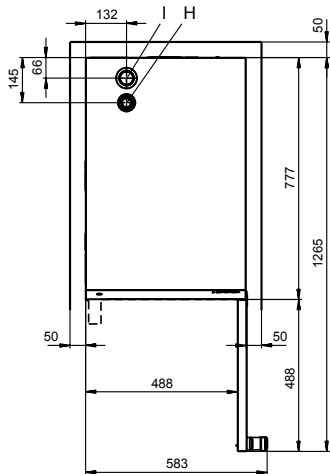
- Oven stand
- Stacking kits
- Condensation hood

# Convotherm C4EMT6.10MOB mini mobile 6 x 1/1 GN Tray Electric Combination Oven Steamer

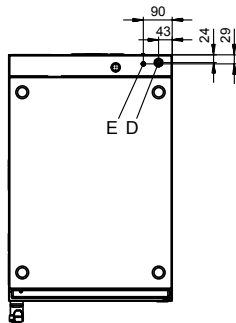
Front view



View from above with wall clearances



Connection positions in appliance floor



- A Drinking water drawer
- B Wastewater drawer
- C Electrical connection
- D Equipotential bonding
- E Air vent Ø 30 mm
- I Ventilation port Ø 43 mm

#### DIMENSIONS

Width	515 mm
Depth	777 mm
Height	754 mm
Weight	67 kg

#### PACKED DIMENSIONS

Width	580 mm
Depth	910 mm
Height	935 mm
Weight (including cleaning system)	80 kg

#### Safety clearances

Rear	50 mm
Right	50 mm
Left	50 mm
(larger recommended for servicing)	
Top (for ventilation)	500 mm

#### INSTALLATION REQUIREMENTS

Appliance must be installed level. Do not install the appliance near, above or below a source of heat or near flammable surfaces.

#### LOADING CAPACITY

Shelf distance	40mm
GN 1/1 shelves (40mm deep)	6

#### ELECTRICAL SUPPLY

3N~400-415V ~50/60Hz (3P+N+E)	
Connected load	7.1 kW
Rated current	14.8 A
Fit main switch (all-pin-circuit-breaker) on site, in close proximity to the appliance. Connection for potential compensation.	

#### WATER CONNECTION

Water supply	
Water drawer	
Capacity to hold	7.5L

#### WATER QUALITY

Drinking water	
Overall hardness	70-125 ppl
Properties	
pH	6.5 - 8.5
Cl <sup>-</sup> (chloride)	max. 60 mg/l
Cl <sub>2</sub> (free chlorine)	max. 0.2 mg/l
SO <sub>4</sub> <sup>2-</sup> (sulphate)	max. 150 mg/l
Fe (iron)	max. 0.1 mg/l
Electrical conductivity	min 20 µS/cm
Waste water drawer	
Maximum capacity	6.0L

#### EMISSIONS

Heat output	
Latent heat	1000 KJ/h
Sensible heat	1100 KJ/h
Noise during operation	max. 70 dBA
Spray guard	1P×4



Australia  
moffat.com.au

New Zealand  
moffat.co.nz

Australia  
Moffat Pty Limited

Victoria/Tasmania  
740 Springvale Road  
Mulgrave, Victoria 3170  
Ph 03-9518 3888

Fax 03-9518 3833  
vsales@moffat.com.au  
www.moffat.com.au

New South Wales  
Ph 02-8833 4111  
nswsales@moffat.com.au

South Australia  
Ph 03-9518 3888  
vsales@moffat.com.au

Queensland  
Ph 07-3630 8600  
qldsales@moffat.com.au

Western Australia  
Ph 08-9413 2400  
wasales@moffat.com.au

New Zealand  
Moffat Limited

Christchurch  
45 Illinois Drive  
Izone Business Hub  
Rolleston 7675  
New Zealand  
Telephone +64 3-983 6600  
Facsimile +64 3-983 6660  
sales@moffat.co.nz

Auckland  
Ph +64 9-574 3150  
sales@moffat.co.nz

In line with policy to continually develop and improve its products, Moffat Limited reserves the right to change specifications and design without notice.

© Copyright Moffat Ltd  
AN.CON.S.1805

